

EC450AJ Compact

ELECTRIC ARTICULATING BOOM LIFT



KEY SPECS

Working Height
15.9 m

Platform Capacity
250 kg

Working Outreach
8.9 m

Up and Over Height
6.85 m

KEY FEATURES

- Zero emissions.
- 2 m overall machine width: drive through where others can't.
- Zero tail swing: slew the turntable without protruding on the side.
- Charge your batteries fast thanks to 230V (STD) and 400V (OPT) on-board chargers.
- Connectivity: comes with JLG ClearSky SMART FLEET.
- STD 4WD AC electric drive + oscillating front axle provide excellent RT performance.
- Compact dimensions: easier to transport, operate and park.
- Long autonomy thanks to lithium battery and AC-powered drive and boom functions.

ACCESSORIES & OPTIONS

- Lithium Battery extension up to 20 kWh / 400 Ah total
- 13 mm air line to platform
- Platform charger 12V
- Platform charger USB
- All weather premium (Arctic) Hydraulic Oil
- Platform Worklights
- Head & Tail Lights
- All motion alarm (white noise)
- PipeRack
- Euro Plug & Socket
- Special paint colour
- Hydraulic Oil 230V Electric Heater
- Hostile Environment Kit
- Chassis lights
- SkyGlazier
- 400V - 3 Phase - 9 kW Battery charger
- FF 265/50 D20 Tires - Black
- Steer cylinder rods protection covers

STANDARD SPECIFICATIONS

Performance

| | |
|-------------------------------------|-------------------------|
| Working Height | 15.9 m |
| Platform Height | 13.9 m |
| Horizontal Outreach | 8.25 m |
| Working Outreach ** | 8.9 m |
| Up and Over Height | 6.85 m |
| Swing Non-Continuous | 355° |
| Platform Capacity - Unrestricted | 250 kg |
| Platform Rotator (Hydraulic) | 180° |
| Jib - Overall Length | 1.24 m |
| Jib - Range of articulation | 145° (+76, -69) |
| Tilt cut out | 5° (8.7%) |
| Machine weight * | 5500 kg |
| Maximum Ground Bearing Pressure *** | 4.59 kg/cm ² |
| Occupied floor area | 5.36 m ² |
| Drive Speed | 4.8 kmh |
| Gradeability 2WD | TBD |
| Gradeability- 4WD | 45% |
| Axle Oscillation | STD |
| Turning Radius - Inside | 3.7 m |
| Turning Radius - Outside | 4.5 m |

* Certain options or country standards may increase weight and/or dimensions.

** Incl. 0.65 m outreach beyond platform

*** With Standard tires

Power Source

| | |
|-------------------|--------------------------------------------------------------------------|
| Electrical System | 12 V DC |
| Power system | 48V Nominal |
| Batteries | 10kWh / 200Ah Lithium-Ion Batteries including BMS and integrated heaters |
| Drive Motors | 4 x AC drive electric motors |

Tires

| | |
|-------------|------------------------------|
| Non Marking | FF 265/50 D20 Tires |
| Brakes | Electro-magnetic - automatic |

Hydraulic System

| | |
|----------------------|------------------|
| Hydraulic Pump Motor | AC electric |
| Hydraulic Pump | driven gear pump |
| Tank capacity | 31 L |
| Max pressure | 210 bar |

STANDARD FEATURES

- 0.85 m x 1.8 m tri-entry aluminum platform (1 swing gate + 2 drop bars)
- Multiple simultaneous function operation
- Full proportional drive joystick control with integral thumb steer switch
- Full proportional main boom and swing joystick control
- Selectable creep speed on drive / lift and swing functions
- 1.24 m articulating jib
- Platform console machine status light panel
- AC power cable to platform
- 5 Degree (8.7%) Tilt Alarm/ Indicator Light
- 12V-DC Auxiliary Power
- Hourmeter
- Interactive 4" LCD Display at Ground Controls
- Control ADE® (Advanced Design Electronics) System
- 4 wheel independent direct electric AC drive
- Horn
- Lifting/Tie Down Lugs
- Oscillating Front Axle
- Cast Aluminum Control Box
- Motion Alarm
- 355 Degree Non-Continuous Swing
- 3kW Zivan battery charger
- Ground control selector switch with key lock
- Synthetic Biodegradable Hydraulic Oil
- ClearSky SMART FLEET Telematics System - subscription through On Line Express
- Skyguard Skyline Enhanced Operator Protection System
- FF 265/50 D20 Tires - Non marking

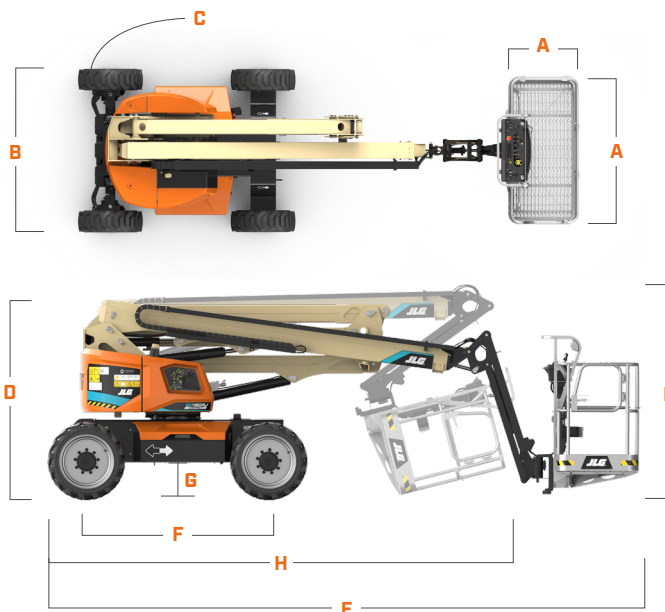
EC450AJ Compact

ELECTRIC ARTICULATING BOOM LIFT



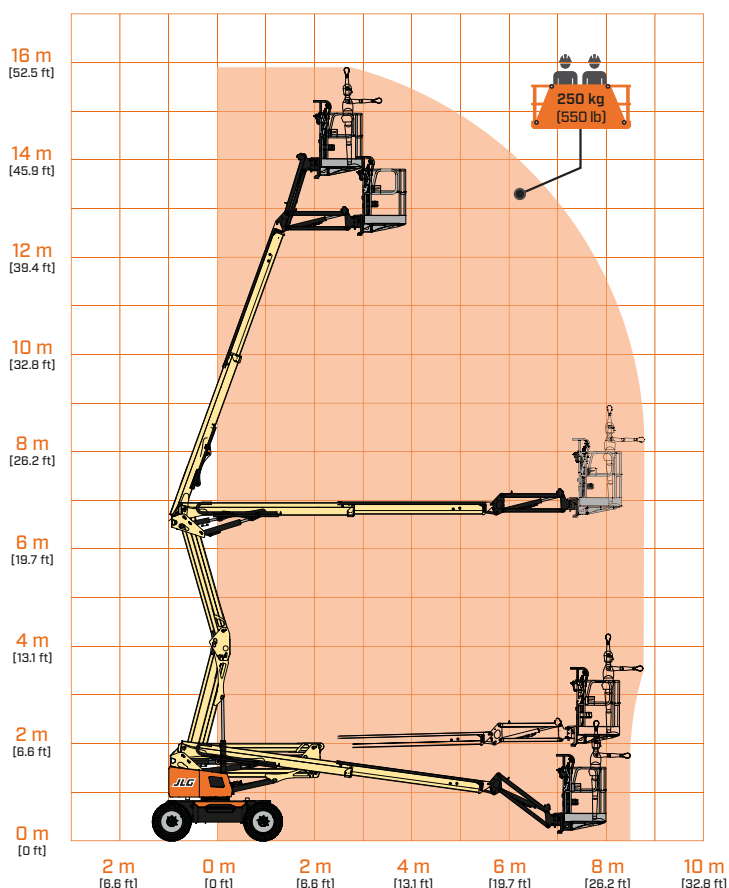
DIMENSIONS

All dimensions are approximate



| | |
|----------------------------------------------------|----------------|
| A. Platform Size | 0.85 m x 1.8 m |
| B. Overall Width | 2 m |
| C. Tailswing | Zero |
| D. Stowed Height | 2.06 m |
| E. Stowed Length | 6.2 m |
| F. Wheelbase | 1.88 m |
| G. Ground Clearance | 0.36 m |
| H. Transport length (jib tucked under boom) | 4.82 m |
| I. Transport height (jib tucked under boom) | 2.21 m |

REACH DIAGRAM



IMPORTANT

JLG is continually researching and developing products and reserves the right to make modifications without prior notice. All data in this document is indicative. Certain options or country standards will increase weight. Specifications may change to meet country standards or with the addition of optional equipment.

Due to continuous product improvements, JLG Industries reserves the right to make specification and/or equipment changes without prior notification.



JLG EMEA BV
 Polaris Avenue 63
 2132 JH Hoofddorp
 The Netherlands
 Tel.: +31 (0)23 565 5665
www.jlg.com

An Oshkosh Corporation Company