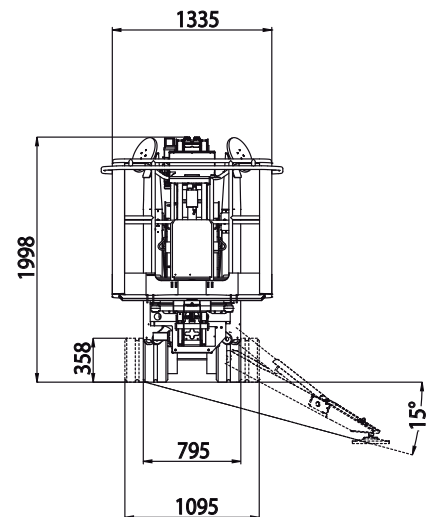
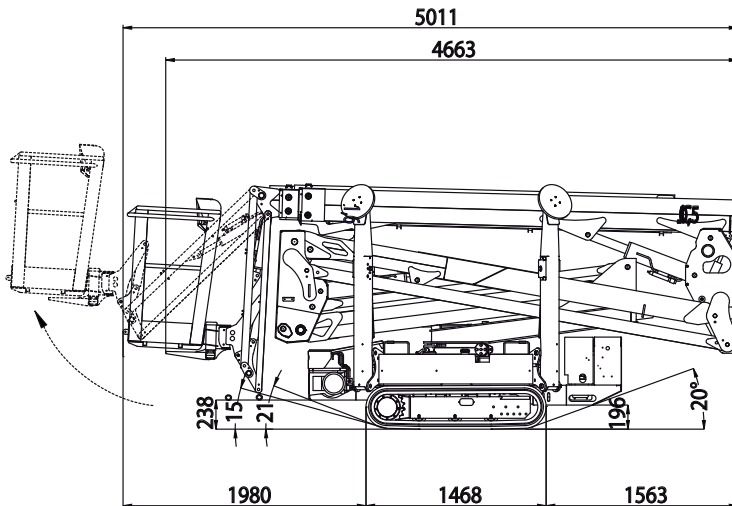
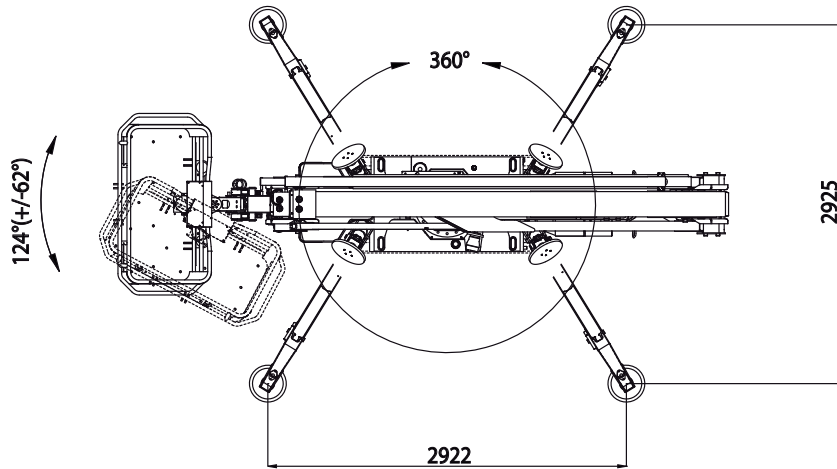
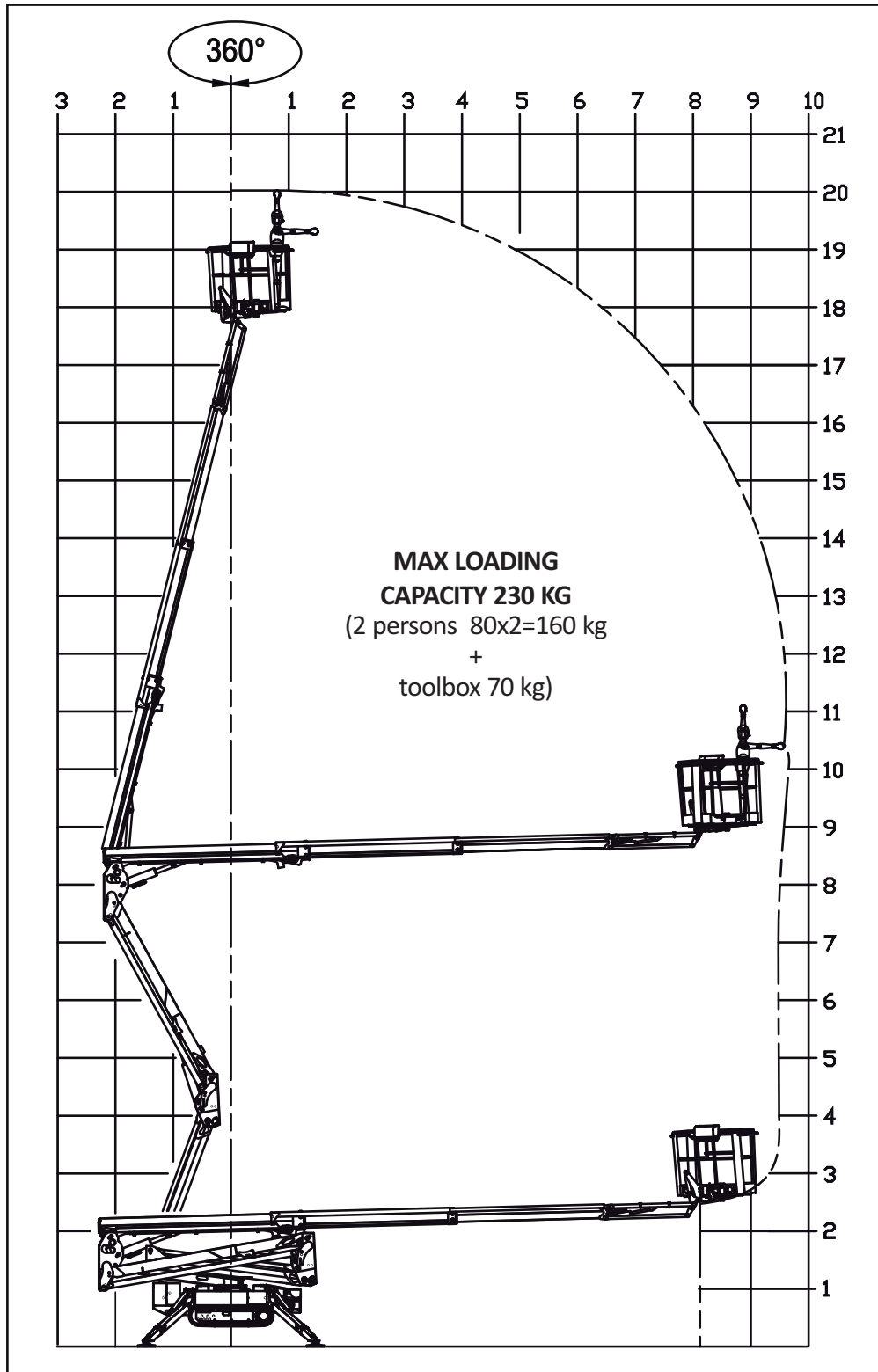


**LIGHTLIFT 20.10** *PERFORMANCE III S*



# LIGHTLIFT 20.10 *PERFORMANCE III S*



# **LIGHTLIFT 20.10** *PERFORMANCE III S*

## **PETROL ENGINE**

Brand .....HONDA  
Type .....iGX440  
Pistons no. and displacement .....single-cylinder 440 cc  
Max. gross power .....12,7 HP - 9,5 Kw @ 3600 rpm  
Setting .....3600 rpm  
Electrical start.....12 volt

## **DIESEL ENGINE**

Brand .....Perkins  
Type .....402.05  
Pistons no. and displacement .....double-cylinder 510 cc  
Max. gross power ..... 14 HP - 10,2 Kw @ 3600 rpm  
Setting .....3500 rpm  
Electrical start.....12 volt

## **ELECTRIC MOTOR**

Standard.....230 V 50 Hz - 2,2 Kw 1500 rpm  
Optional .....110 V 50 Hz - 2,2 Kw 1500 rpm

## **HYDRAULIC PUMPS**

Type and no..... no. 2 gear pumps x 4 cc  
Translation system/outriggers pressure .....165 bar  
Aerial system pressure .....210 bar

## **TRACKED UNDERCARRIAGE**

Track tensioner .....grease-filled  
Rollers no. per side.....3 + slide  
Widening system.....795 / 1095 mm  
Translation speed (with standard 2° speed) .....0,5 / 1,3 / 2,5 km/h

**OPERATING WEIGHT PETROL ENGINE / DIESEL ENGINE** ..... 2840 / 2940 kg  
**PETROL FUEL TANK** .....5,9 litres  
**DIESEL FUEL TANK** ..... 11 litres  
**MAX UPPER SLANT** .....15°  
**MAX WIND SPEED**.....12,5 m/s



# TRACKED AERIAL PLATFORMS

**PERFORMANCE III**

**LIGHTLIFT 20.10**

**LITHIUM ION**

## ELECTRIC MOTOR

Electric motor .....	3,5kW/70V
Electric system voltage.....	70V-12V
Lithium battery pack .....	70V 100Ah
Estimated battery range on full charge.....	4-5 h
Onboard battery charger .....	220V±30V 50÷60Hz
Optional battery charger .....	110V±30V 50÷60Hz
Estimated recharge time on flat batteries .....	5 h
Estimated recharge time to 80% on flat batteries .....	2 h
No. of possible recharges .....	2000 cycles

## HYDRAULIC PUMPS

Type and no .....	no.2 gear pumps x 4 cc
Translation system/outriggers pressure .....	165 bar
Aerial system pressure .....	210 bar

## TRACKED UNDERCARRIAGE

Track tensioner .....	grease-filled
Rollers no. per side.....	3 + slide
Widening system.....	795 / 1095 mm
Translation speed .....	0,83
Translation speed (with optional high speed) .....	0,83 / 1,6 Kh/h

**OPERATING WEIGHT** ..... 2950 kg

**MAX UPPER SLANT** .....15°

**MAX WIND SPEED**.....12,5 m/s